



Robe Hook 363RH

Specification Submittal



Model Numbers

- 363RH Robe Hook

Finish Options

Append appropriate -suffix to model number.

- STN Satin nickel finish

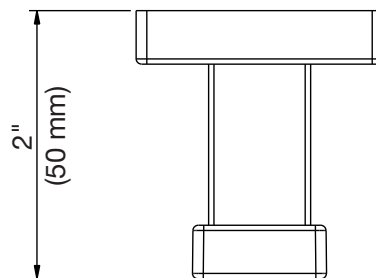
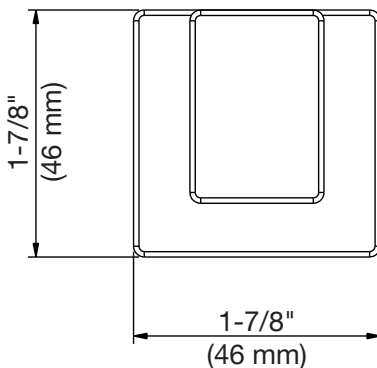
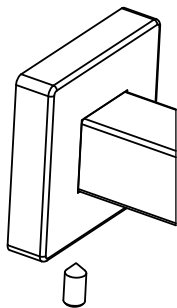
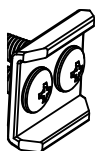
Feature Highlights

- Metal construction
- Mounting hardware included
- Standard finish is polished chrome

Warranty

- Limited Lifetime - to the original end purchaser in residential/consumer installations.
- 5 years - for commercial installations

Dimensions *Duro Robe Hook, 363RH*



Note: Dimensions subject to change without notice